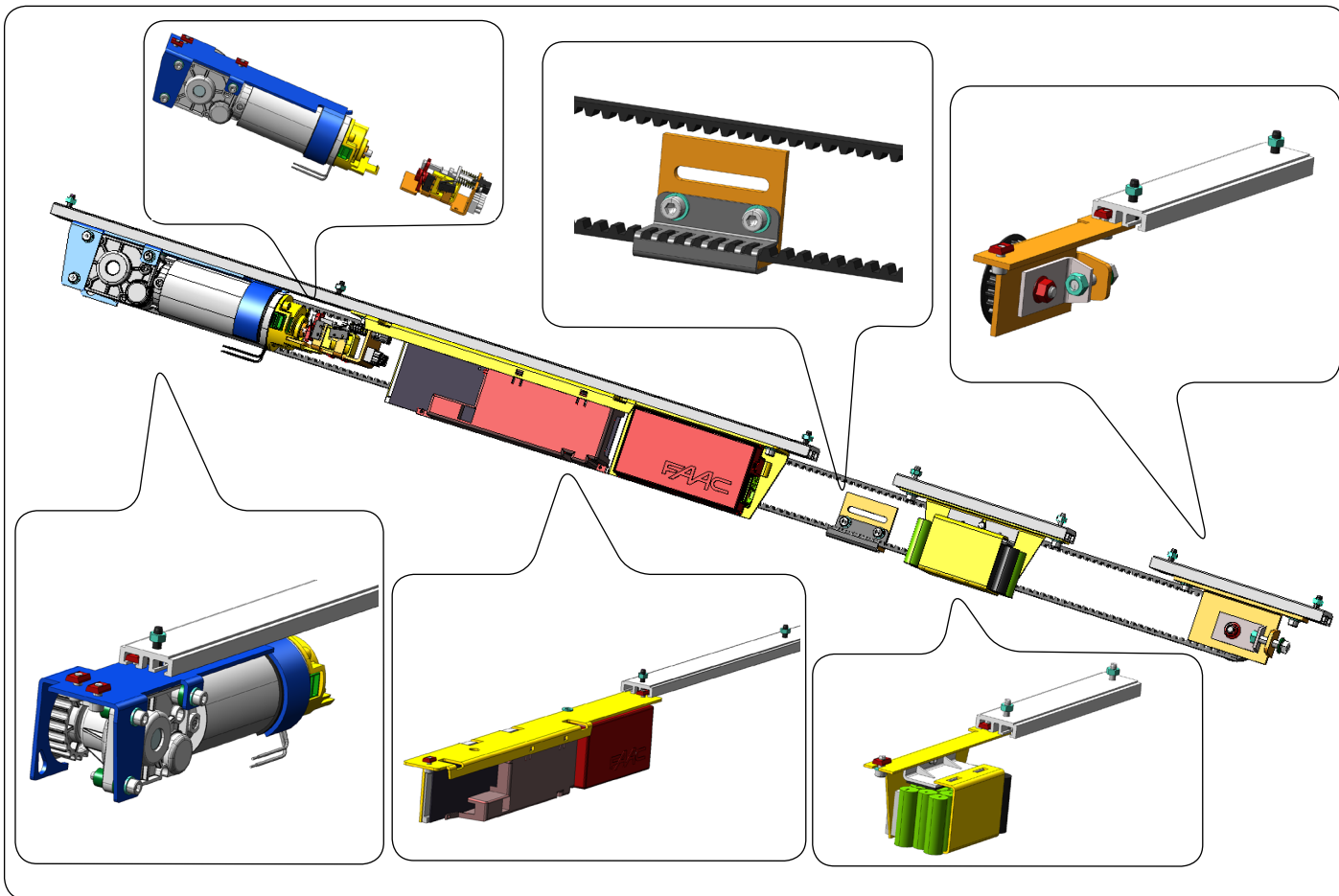


Retrofit Kit RKU



Attention : Before assembling the RKU Retrofit Kit, check the conditions of the support profile and the doors.
 Make sure the mechanical structure is adequate, within the specified limits and in line with the specifications and features of the RKU Retrofit Kit.
 During the assembly of the RKU Retrofit Kit, make sure the devices comply with the new EN16005 standard.
 If the automatic door is used as an emergency exit, check the anti-panic system by making sure the mechanical break-in system complies with the EN16005 standard.

However, the installer is required to carry out a general risk analysis in accordance with EN16005 before operating the automatic door.

The RKU Retrofit Kit is compatible with the main automatic door profiles Besam ,Ditec , Dorma ,Manusa ,Geze ,Gilgen ,Record .

Below are the details of the specified models and profiles:

BESAM ADS
 BESAM EMD
 DITEC BIS OR.
 DITEC BIS VERT.
 DITEC VALOR

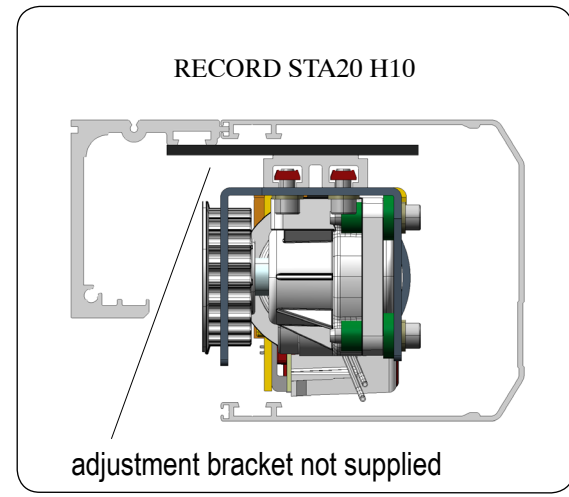
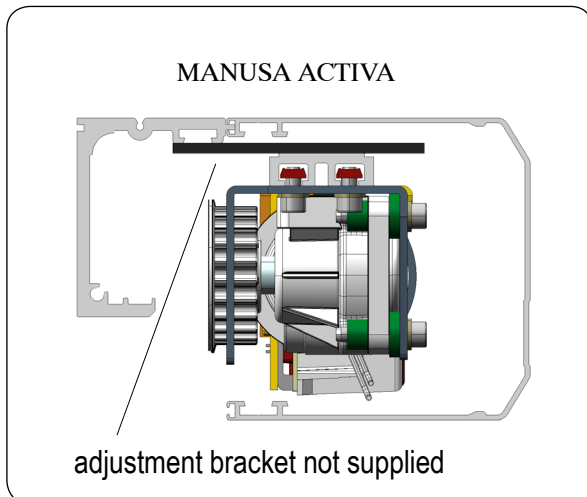
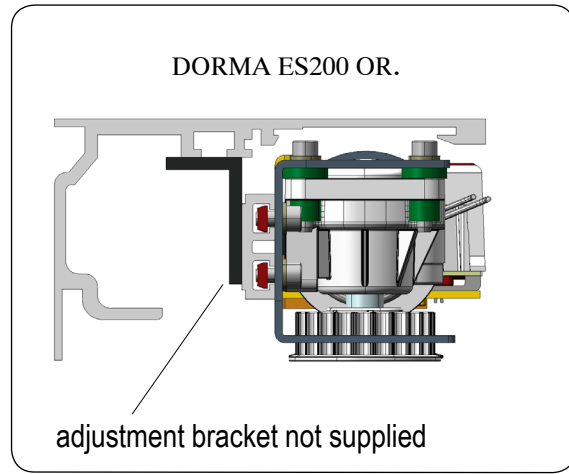
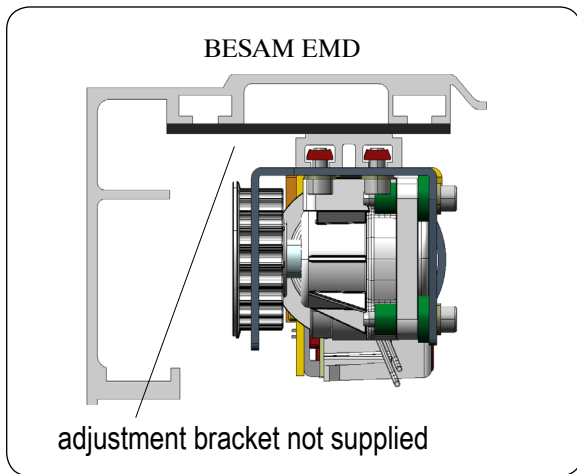
DORMA ES200
 DORMA ES200 OR .
 GEZE BO
 GEZE TSA 360
 GILGEN SLM

GILGEN SLX
 RECORD STA20 H10
 MANUSA ACTIVA

The RKU Retrofit Kit is supplied with a belt-coupling bracket for the trolleys.
 This might not be enough for the connection to the trolleys and may require an adjustment, which must be carried out by the installer.

To install the RKU Retrofit Kit, some profiles require an adjustment bracket (NOT supplied by FAAC). This must be provided by the installer.

Below are some examples that require the adjustment bracket.



Upon request, the RKU Retrofit Kit is available with the following accessories:

- Battery pack group
- Motor block

For details about the RKU Retrofit Kit related to the connections and programming, refer to the technical manuals on automatic doors available at FAAC's website.