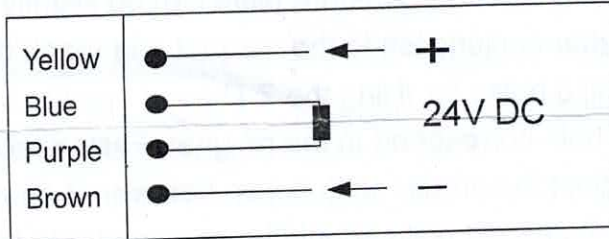
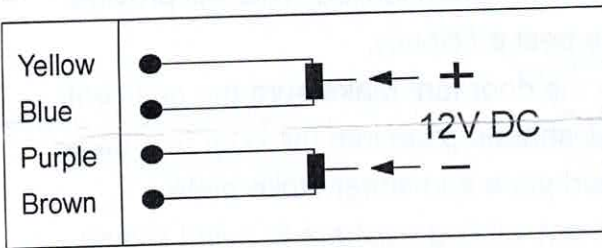




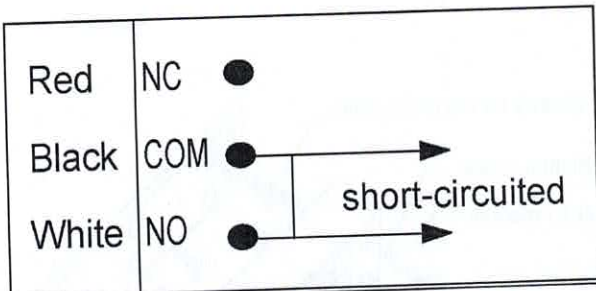
Installation Instructions for PGL-600 (In-swing door)

Ver.04/06

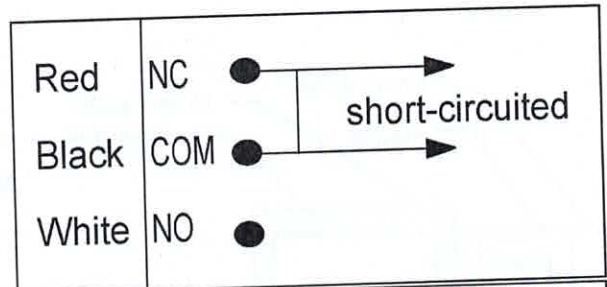
- A.** Applicable Door Type : safety door, fireproof door, steel door, aluminum door
B. Please select the correct wiring for DC12V or DC24V voltage input.



C. The door held status output :

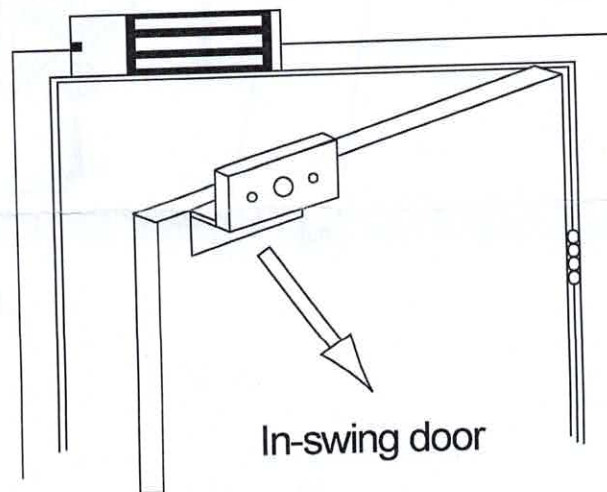


When power on , the output dry contacts (COM & NO) are shorted as the door is closed.



When power on , the dry contacts (COM & NC) are shorted as the door is opened.
 The dry contacts (COM & NC) are shorted also as power off.

D. Installing examples :



W-04-PGL-600/E

E. Installing procedures

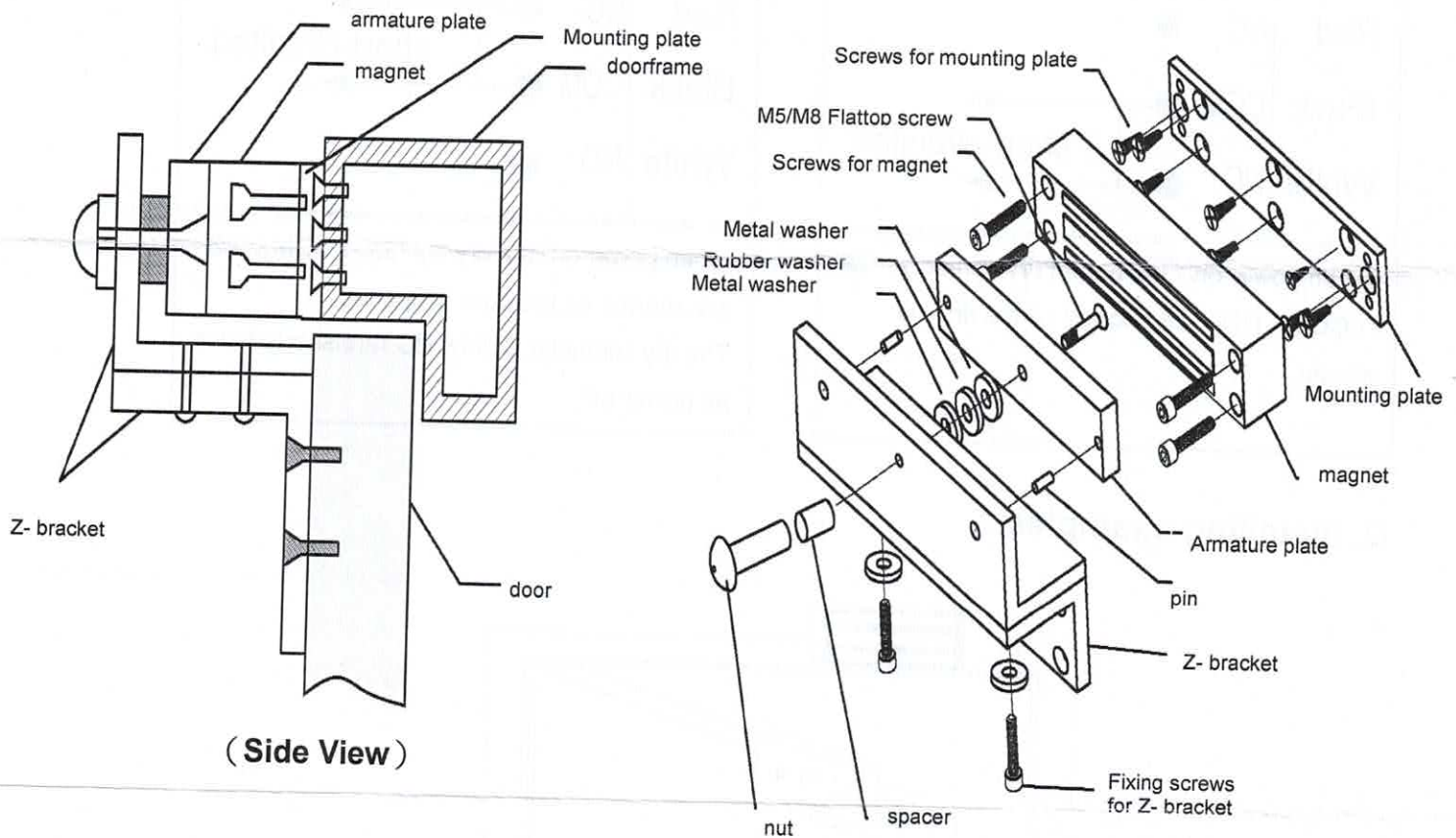
Step 1: Fix the mounting plate to the doorframe with its associated screws. Attach the magnet to the mounting plate afterwards. (Please refer to the figure 1 for the magnet, mounting plate and all the associated components.)

Step 2: Please put the rubber washer between two metal washers firstly and then put them between armature plate \ Z-shaped bracket and nut. Lock the M5/M8 flattop screw in the middle of armature plate to the Z-shaped bracket.

Note: Make sure the armature plate can be slightly shaken when locked. This will provide better conjunction to the magnet and reach the best efficiency.

Step 3: Drill 5 holes for fixing the Z-shaped bracket on the door fan. Make sure the positions of hole correspond to the magnet. Fasten the Z-shaped plate into the door fan firmly. Adjust the proper conjunction between Z-shaped plate and sheer strike plate.

Note: The Z-shaped plate should be equipped with the anti-sliding washers to avoid sliding. (Please refer to figure 1 for Z-shaped fixing.)



(Figure 1)