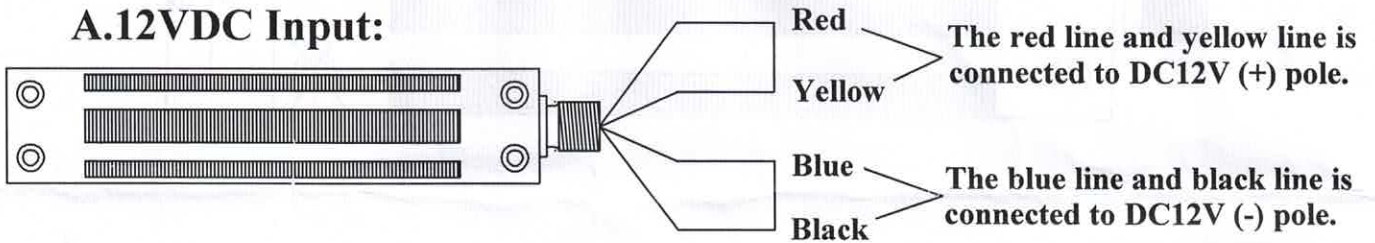


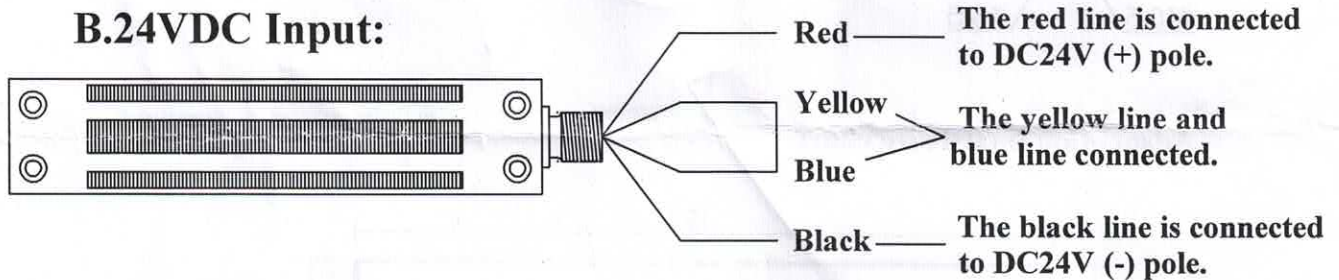
User's manual of 500 Waterproof magnetic lock

Operating Voltage:	DC12V	DC24V
Operating Current:	500mA	250mA

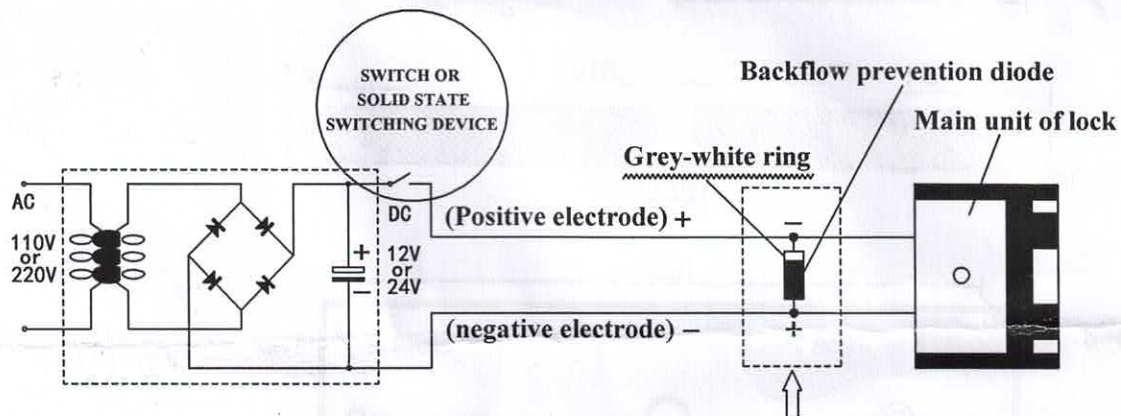
A. 12VDC Input:



B. 24VDC Input:



C. Connection method of backflow prevention diode:

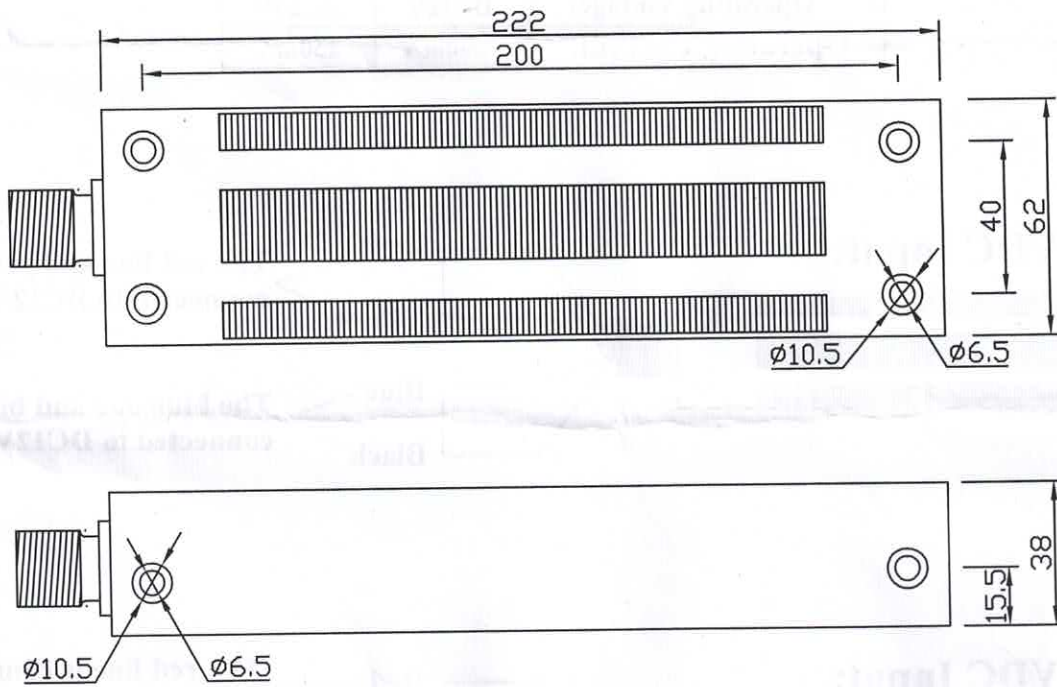


Connection method of backflow prevention diode:

- Connect the negative electrode of diode with the positive electrode of lock body.
- Connect the positive electrode of diode with the negative electrode of lock body.

User's manual of 500 Waterproof magnetic lock

Magnetic lock dimension drawing



Adsorption board size chart

