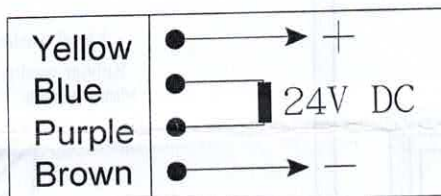
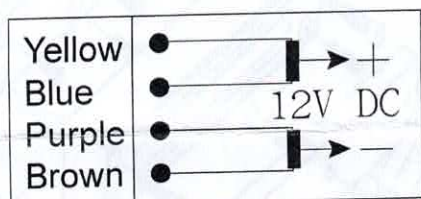
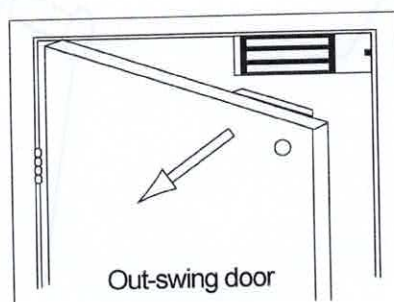
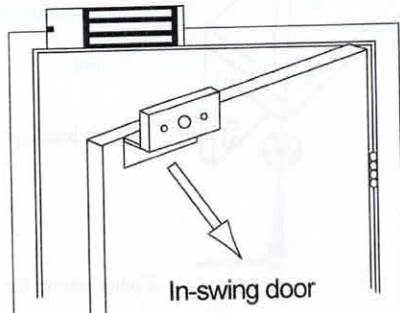


- A.** Applicable Door Type : safety door, fireproof door, iron door, aluminum door
B. Please select the correct wiring for DC12V/ DC24V voltage input.



C.



Procedures

- Step 1:** Fix the mounting plate to the doorframe with its associated screws. Attach the magnet to the mounting plate afterwards. (Please refer to the figure 1 for the magnet, mounting plate and all the associated components.)
- Step 2:** There must be 2 metal washers and 1 rubber washer between armature plate and Z-shaped bracket. Put the rubber washer between 2 metal washers. Lock the flattop screw in the middle of armature plate to the Z-shaped plate.
- Note:** Make sure the armature plate can be slightly shaken when locked. This will provide better conjunction to the magnet and reach the best efficiency.
- Step 3:** Drill 5 holes for fixing the Z-shaped plate on the door fan. Make sure the positions of hole correspond to the magnet. Fasten the Z-shaped plate into the door fan firmly. Adjust the proper conjunction between Z-shaped plate and sheer strike plate.
- Note:** The Z-shaped plate should be equipped with the anti-sliding washers to avoid sliding. (Please refer to the figure 1 for Z-shaped fixing.)

Figure 1

