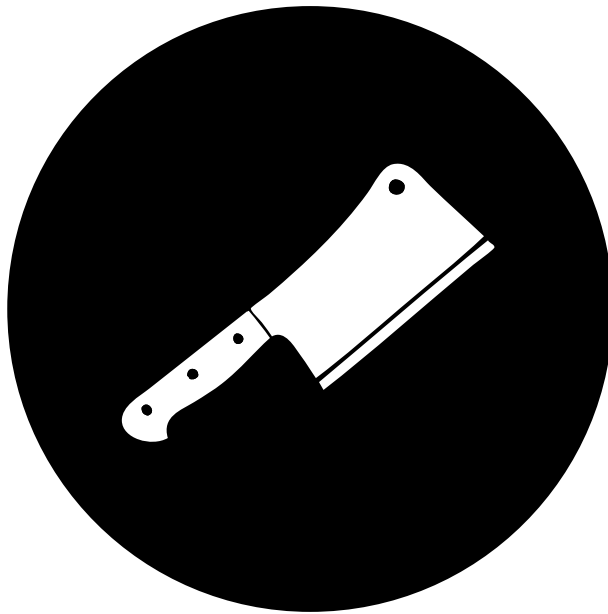




SHORT ----- CUTS



*All business
No bullsh*t*

TELESCOPIC GATE PACK | INSTALL

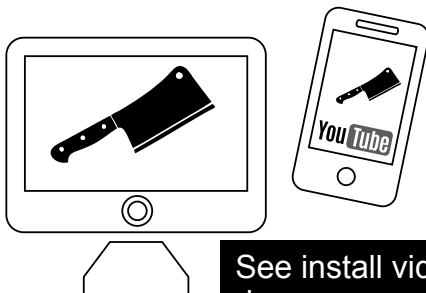
GET THE JOB DONE

Manufacturer's manuals are chockers with info that makes them almost impossible to find anything useful. Short Cuts are created by our Downee team, using plain English. We chop out the crap leaving only the bits you need.

INDEX

PAGE

LEAF DESIGN	1
LEAF SPECS	2
LEAF ONE FABRICATION	3
LEAF ONE HARDWARE	4
LEAF ONE HARDWARE INSTALL	5
LEAF TWO FABRICATION	8
LEAF ONE INSTALLATION	9
LEAF TWO INSTALLATION	11
DRILLING TEMPLATES	12



See install video at:
downee.com.au

trouble shooting

Call our Tech Team

1800 241 733

GATE DESIGN

Telescopic Gates are different from a typical sliding gate. We'll cover the differences here and how to nail them.

TOOLS

If you don't already have them, you'll need these before you start building the leaves: 40mm hole drill. Thick black marker. M6 tap - the Pulley Hardware is bolted to Leaf 1. A decent pair of wire cutters to trim the cable.

GATE FRAME

A minimum of 100x50x3mm RHS is needed for the frame on both leaves. 100mm is needed for the pulley hardware on the bottom rail. Also the top guide & inline guide roller need 100mm to work together. Because the hardware is bolted to the gate 3mm thickness is needed to tap threads.

MOTOR

You'll need a motor with a manufacturer's rating of x5 the leaf weight. Why? One gate travels twice as fast as the other creating a lot of load, and when adding the pulley system to add more load again the effective gate weight is x5 the leaf weight.

WHEELS

Telescopic gates are designed to be used with Recessed Wheels, but can be adapted for Bottom Mount Wheels.

TRACK

Telescopic uses two lengths of track, one for each gate. Leaf 1 needs a track only half the driveway width. Leaf 2's track runs the entire driveway width.

PEDESTRIAN GATE

Telescopic are often fitted in small yards without room for a pedestrian gate. With Telescopic the only entrance to the property these tips will get the most out of the gate system.

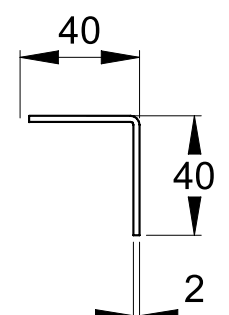
- Include the partial-open pedestrian function on the remote.
- Add a keypad for visitors
- A backup battery is a good bit of insurance

INLINE ROLLER GUIDE

Installers will supply their own steel U-channel or angle for the Inline Roller guide.

Safety stops needed. See page 11

TIP: Make sure to allow for variation in the level of the driveway when welding the guide channel.

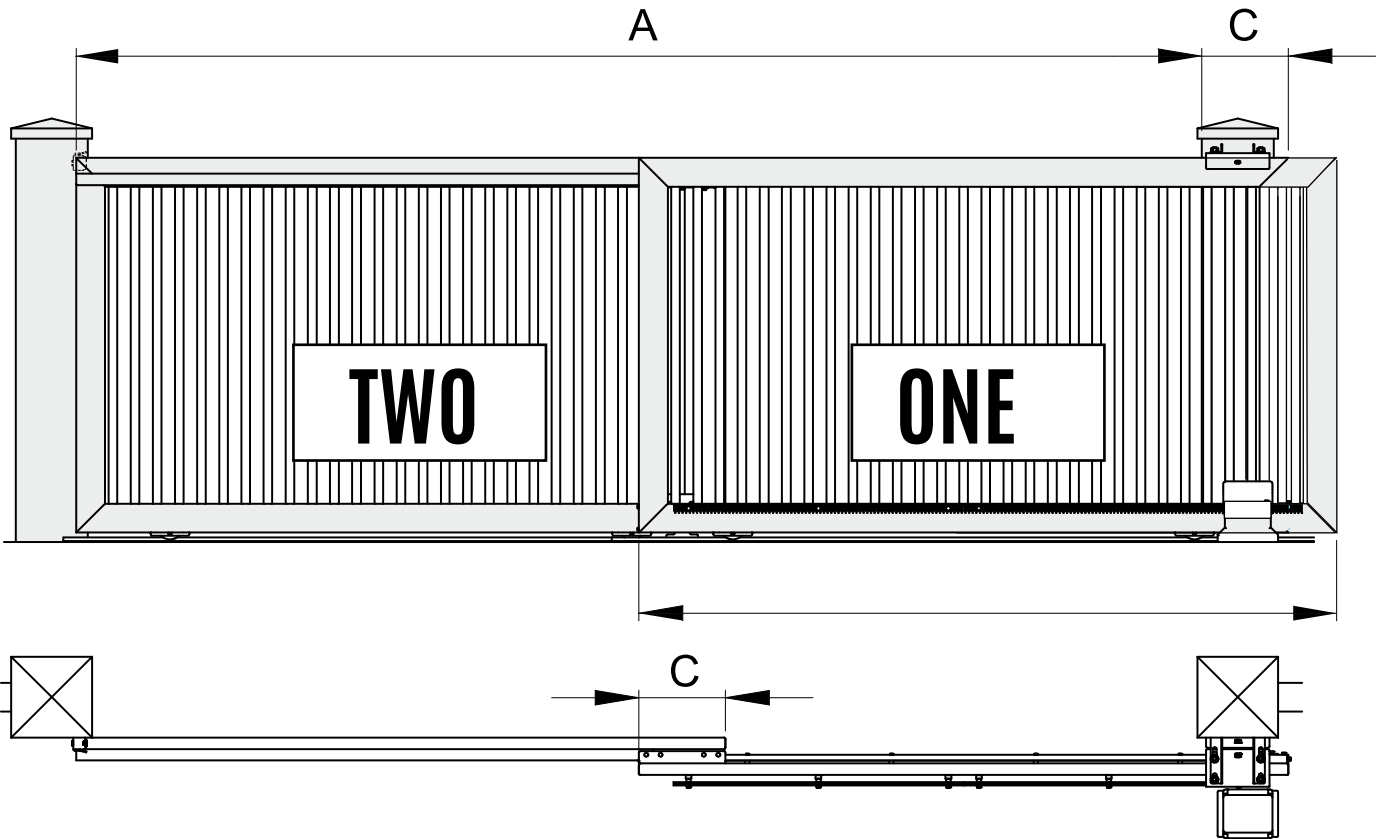


LEAF SPECS

Because Telescopic has two leaves they need a bit of attention to get right.

Rule of thumb: Leaves are half the width of the entrance (inside post to post) plus, depending on entrance length add 300/600mm.

Note: Leaf One may need a tail depending on the width of the motor used. Details below.



LEAF LENGTHS

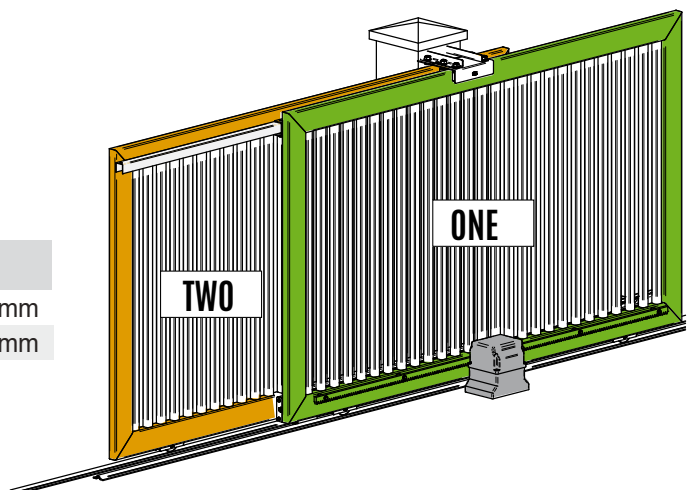
Leaf One = entrance width **A**, halve it, add **C** (300mm or 600mm depends on kit) + tail if necessary. Allow for a tail on leaf one, if the width of the motor exceeds 300mm. Example – If motor base is 400mm wide, add a tail of 100mm long.

Note: If a tail is needed, the position of the pulley assembly doesn't change. See page 3.

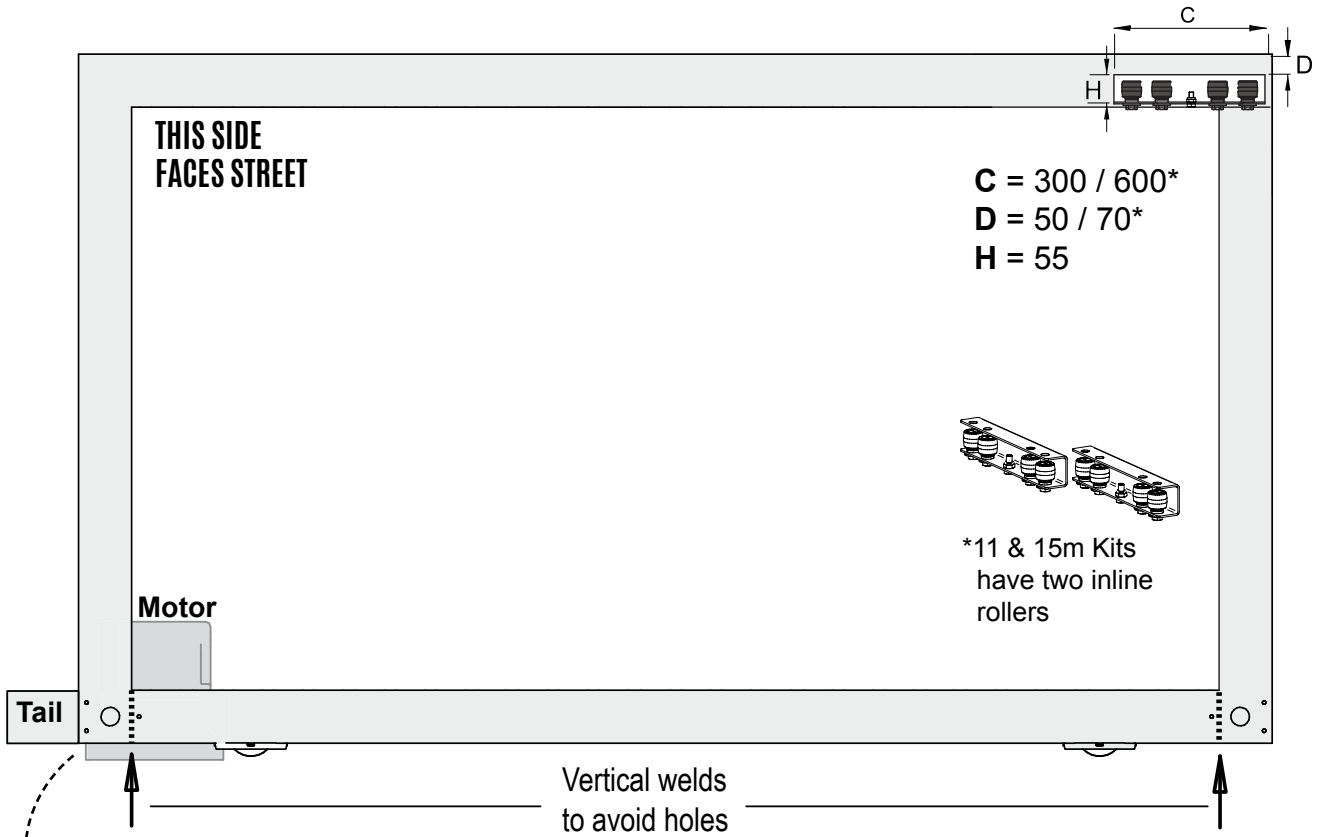
Leaf Two = entrance width **A**, halve it, add **C** (300mm or 600mm depends on kit).

SPECS

A	LEAF TWO max.	FRAME
0 - 8m	300kg	100 x 50 x 3mm
8.1m - 15.4m	400kg	125 x 75 x 3mm

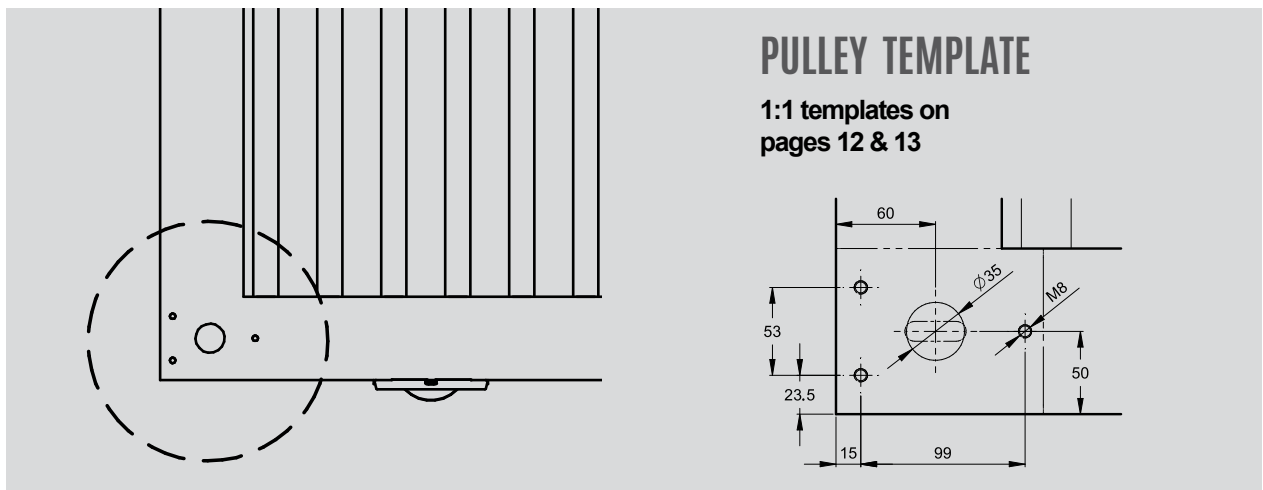


LEAF ONE FABRICATION



IMPORTANT:

The position of the pulley assembly doesn't move from this location on the gate even if a tail is fitted.



TIP Fit Telescopic hardware to gates before leaving the factory

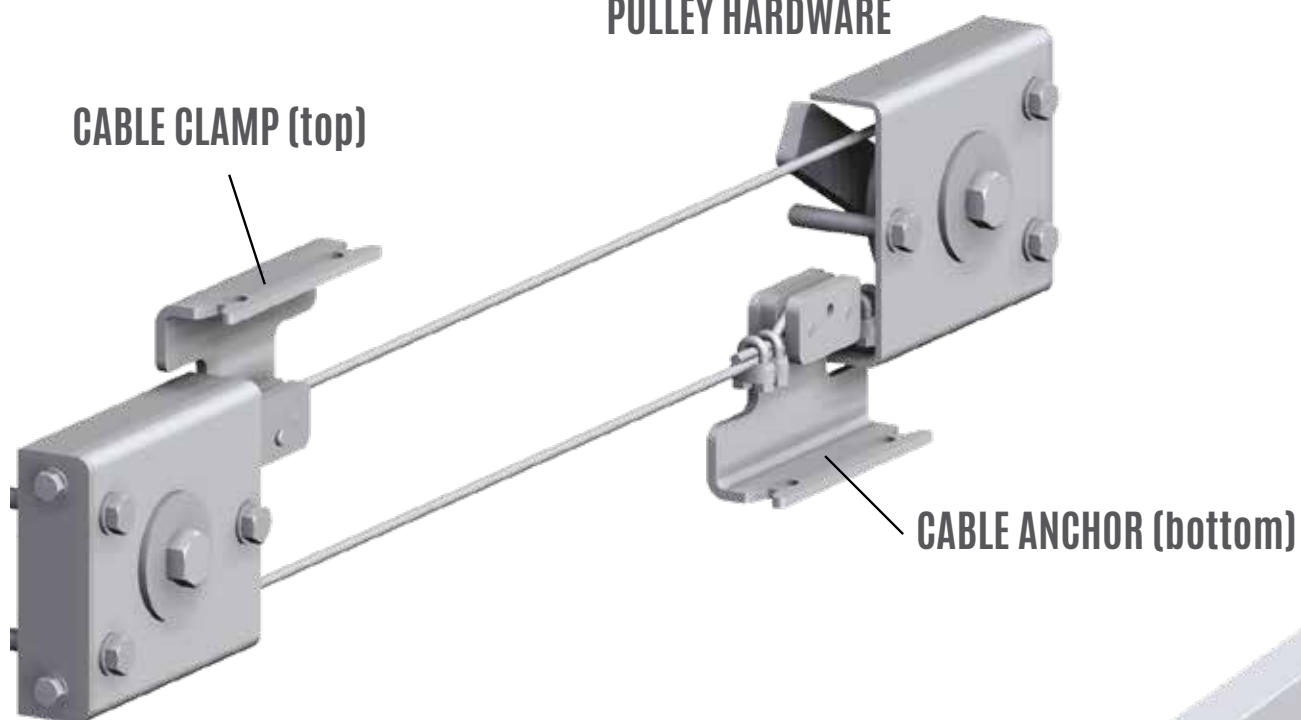
LEAF ONE HARDWARE PARTS

All of the Telescopic parts used on Leaf One are shown here.

INLINE ROLLER



PULLEY HARDWARE



CABLE CLAMP (top)

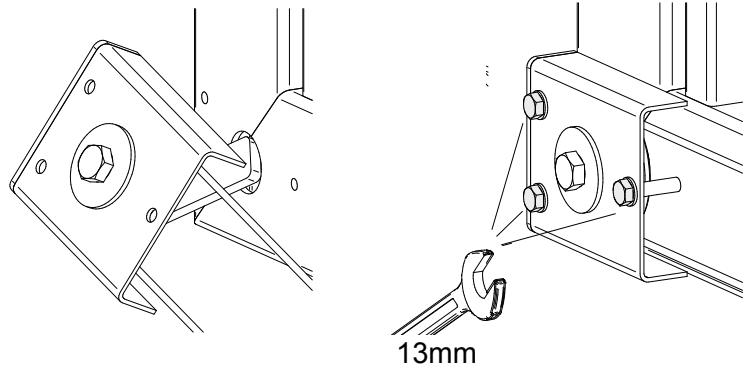
CABLE ANCHOR (bottom)

PULLEY COVER

LEAF ONE HARDWARE INSTALL

1 MOUNTING PULLEY HARDWARE

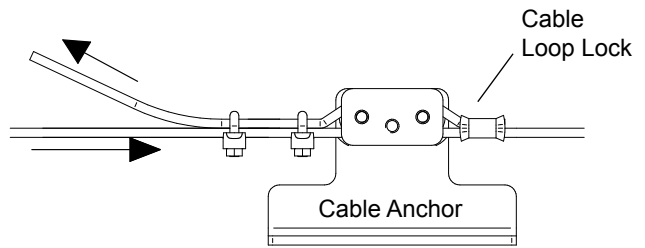
Insert the pulley hardware into the gate. Nip up the bolts finger-tight.



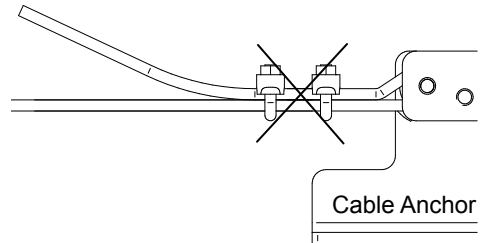
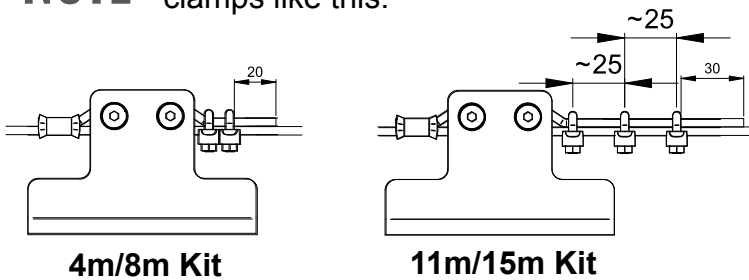
NOTE Cable anchor to bottom

2

Pull the cable taut and tighten cable clamps (Thread facing down).

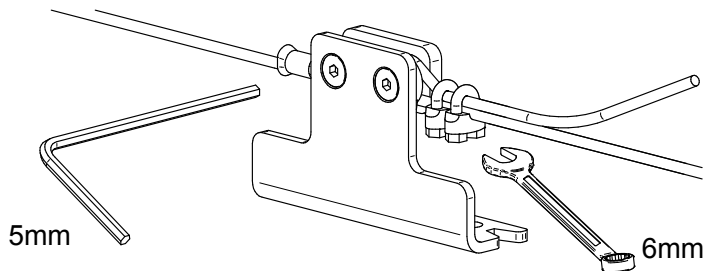


NOTE Space the cable clamps like this.

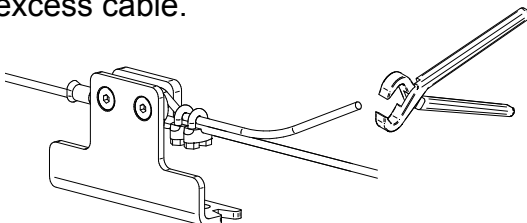


3

Tighten the Cable Anchor with the allen key.



Tape the cable where it'll be trimmed. Snip the excess cable.

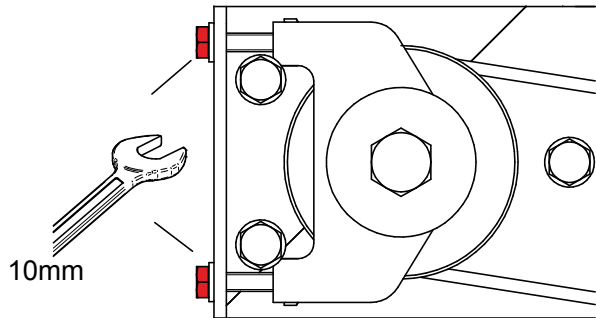
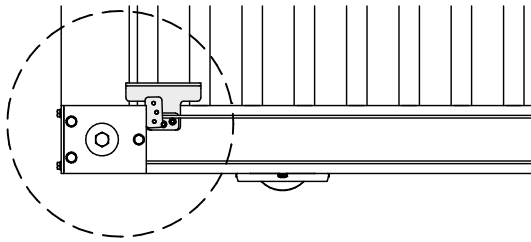


LEAF ONE HARDWARE INSTALL

(CONTINUED)

4

Loosen the cable tensioner bolts both ends to slacken the cable.

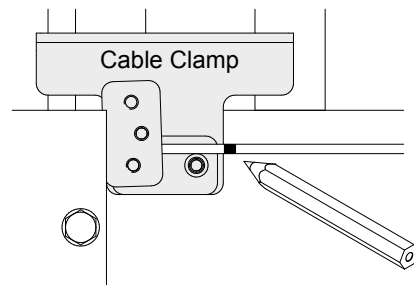
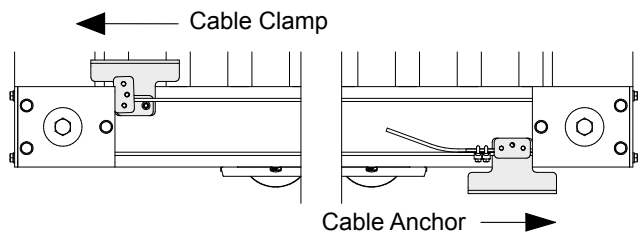


5

Slide the Cable Clamp and Anchor to the ends as shown.

Hold the top Cable Clamp against the pulley and tension the cable.

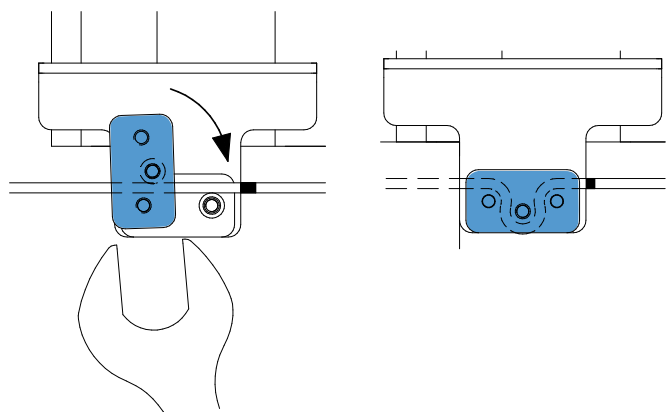
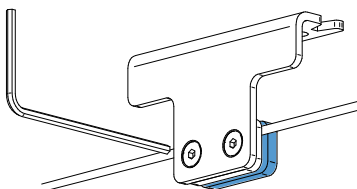
Mark cable as shown.



6

Slide Cable Clamp towards centre of gate. Place the Cable Clamp beside the mark. Twist the Brake (blue) to lock the cable.

Tighten the Brake.

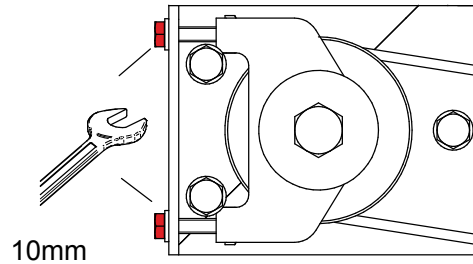


LEAF ONE HARDWARE INSTALL

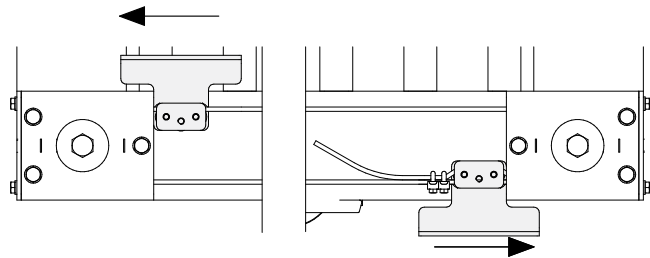
(CONTINUED)

6

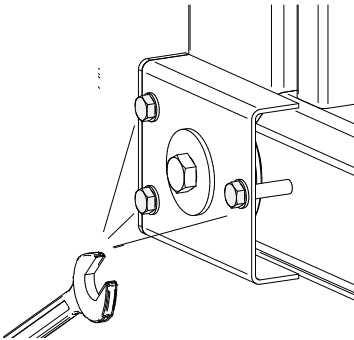
Remove freeplay from the cable with 10mm tensioner bolts on both ends. It's okay for it to have some tension.



Check both pulley clamps sit against the pulleys.



Tighten 13mm pulley & 17mm wheel bolts both ends.

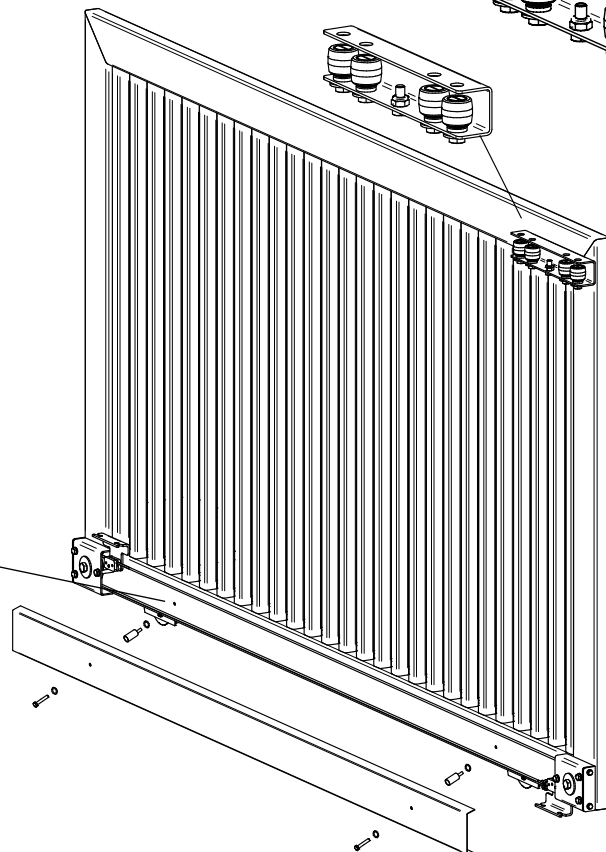
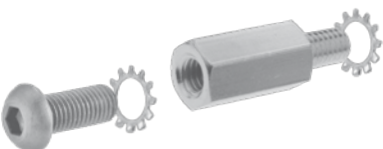


11m/15m kits use two inline rollers (600mm)

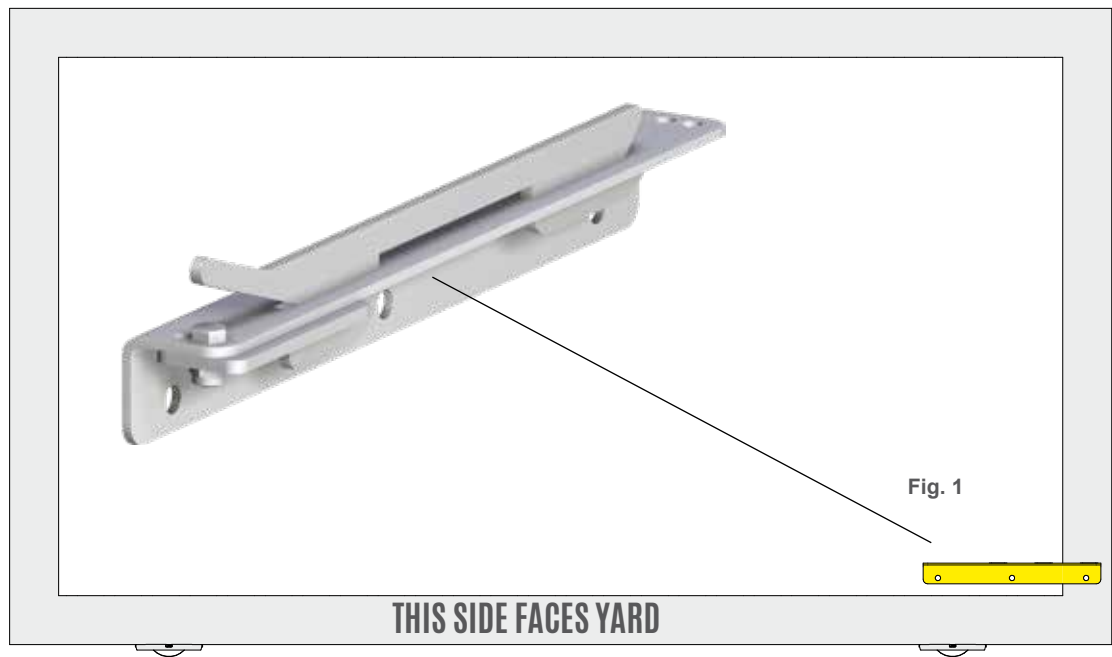
7

Mount inline rollers and attach the Pulley Cover.

To attach the Pulley Cover tap M6 hole into gate frame. Screw washer and threaded spacer into hole then bolt Pulley Cover gate frame.



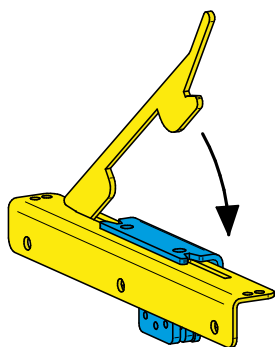
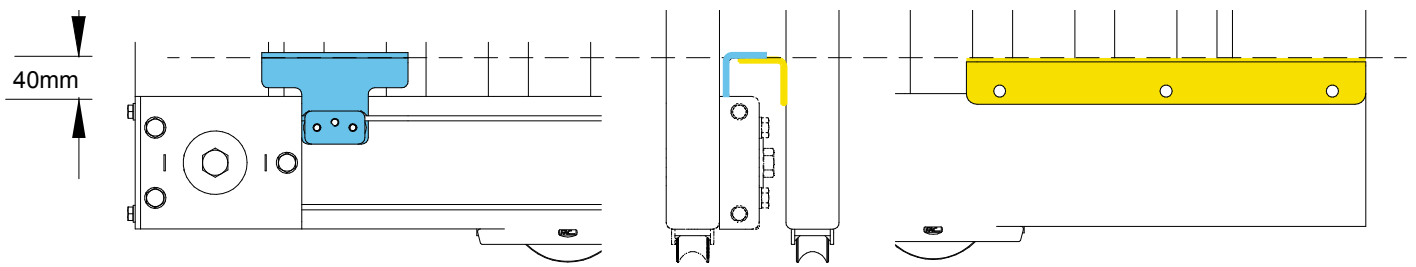
LEAF TWO FABRICATION



QUICK COUPLER POSITION

Using 100x50 bottom channel? The Quick Coupler may need a fabricated mount (see Fig. 1).

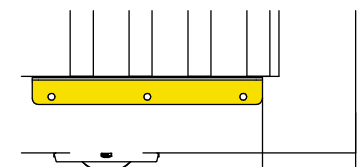
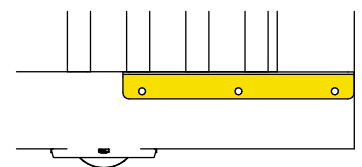
Match the Quick Coupler (yellow) height to the Cable Clamp (blue).



4m & 8m PACK

11m & 15m PACK

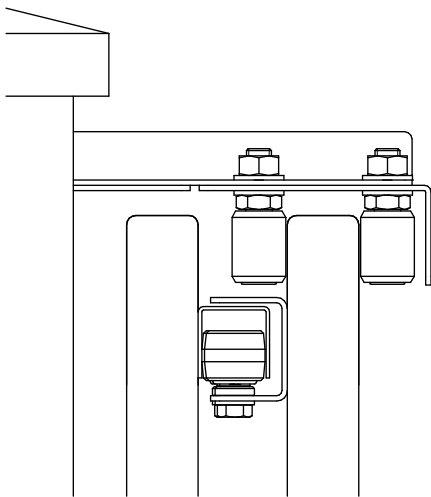
NOTE
Gates 8m+
Quick Coupler is
mounted 100mm
in from the gate edge.



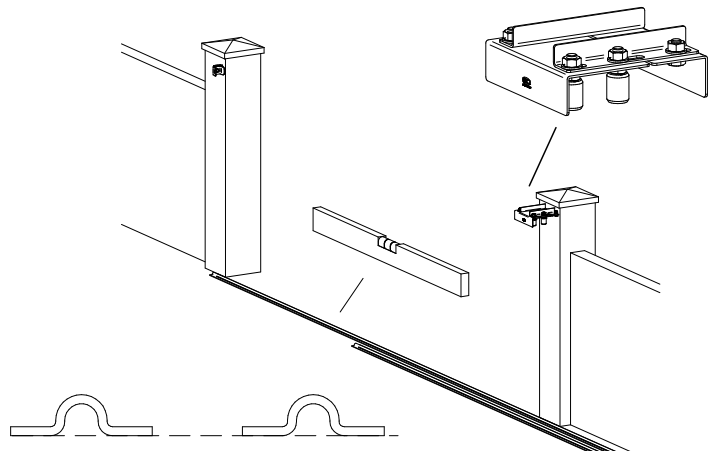
100

LEAF ONE INSTALLATION

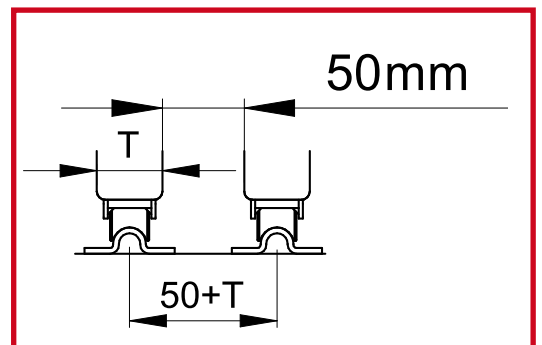
- 1 Mount the Top Guide, bolt both Tracks in place. Keep a constant gap between Tracks (below)



50mm

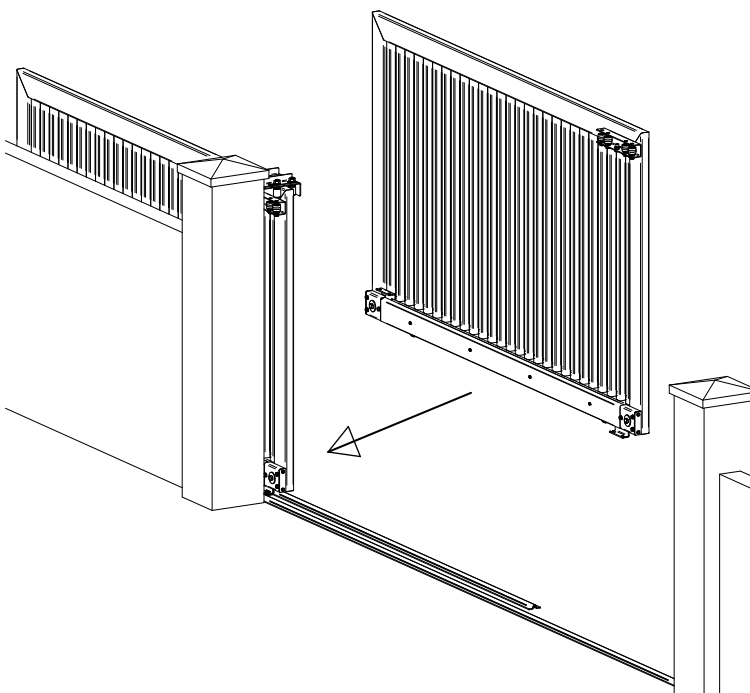


IMPORTANT



Keep a 50mm gap between leaves.

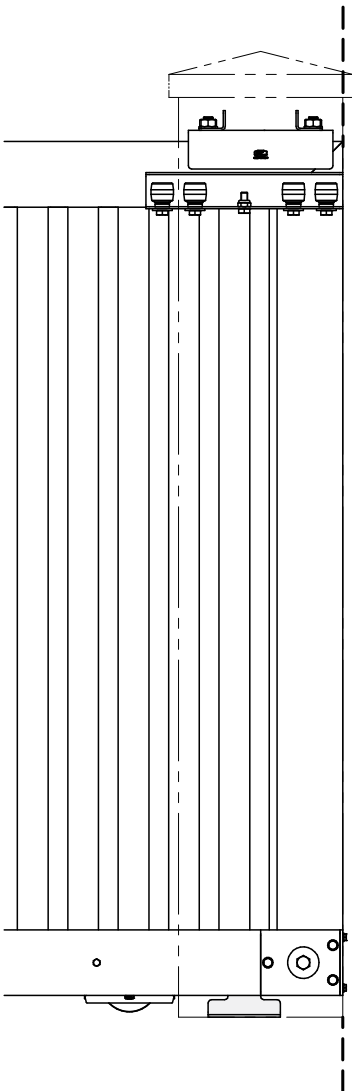
- 2 Slide Leaf 1 into the Top Guide on the short track.



TIP Block the wheels to stop the leaf sliding off

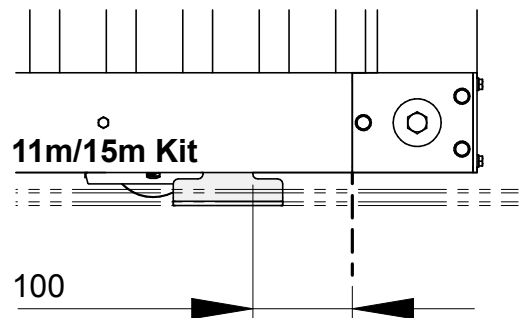
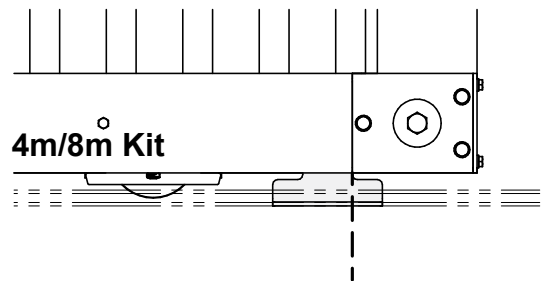
LEAF ONE INSTALLATION

(CONTINUED)



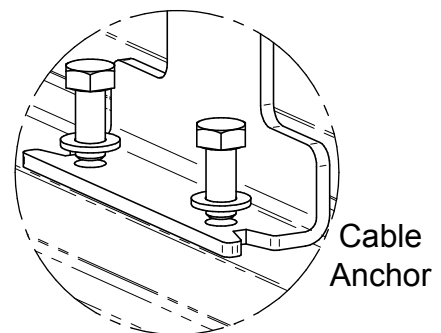
- 3** With Leaf One open, bolt the Cable Anchor between the tracks to the concrete pad using Blue Tip bolts (6.5mm).

Note the different mount points for each kit (below).



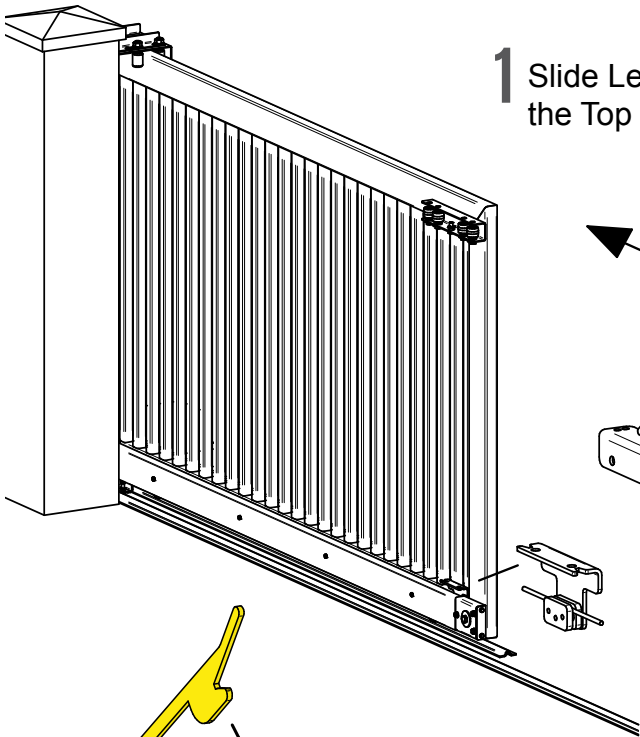
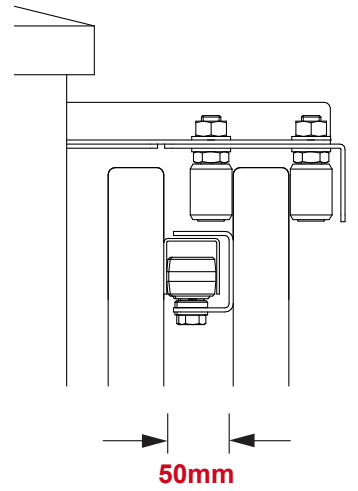
BOTTOM MOUNT WHEELS

Telescopic Gates are designed to be used with recessed wheels. If bottom mount wheels have been installed, you'll need to fabricate a platform to mount the Pulley Clamp. 80mm wheels need an anchor 50mm high; 100mm wheels need one 70mm high.

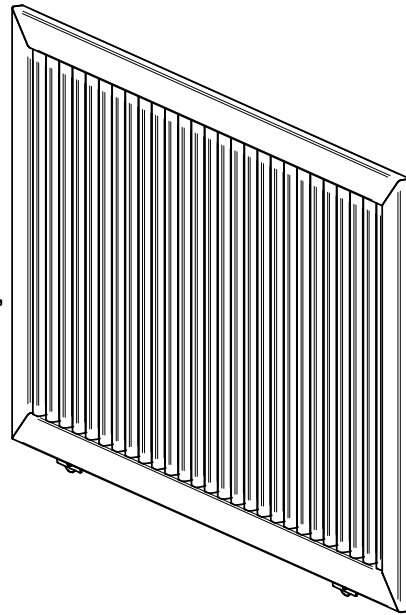


NOTE Bottom Mount Wheels on automatic gates are a safety hazard. In Europe they are banned on automatic gates. If a foot was ever caught it would risk potential amputation and legal action against the installer.

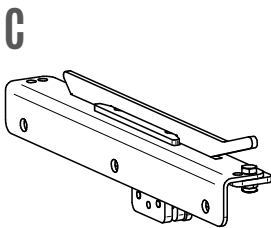
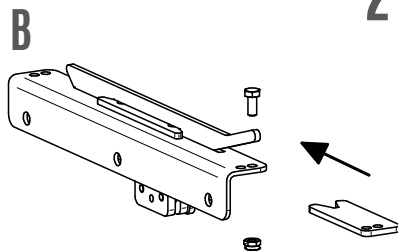
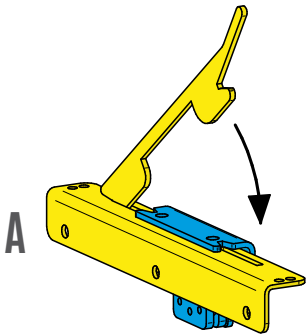
LEAF TWO INSTALLATION



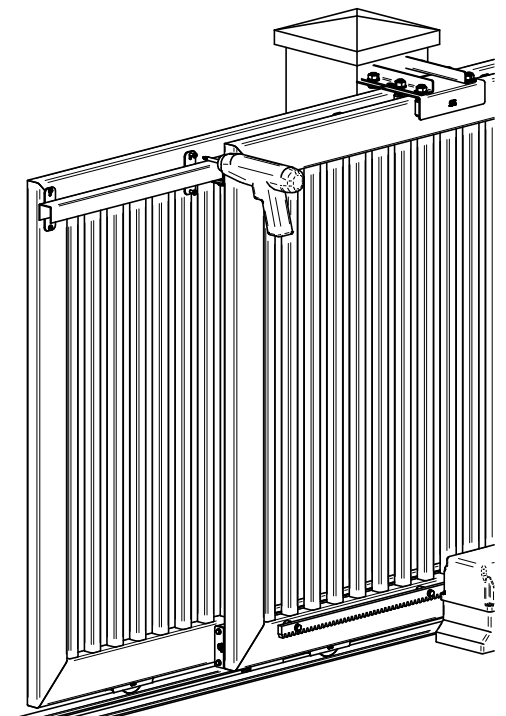
1 Slide Leaf Two into the Top Guide.



2 Connect and lock the Quick Coupler to Cable Anchor.

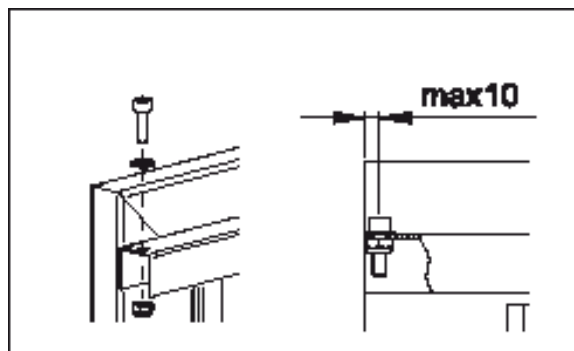


3 Mount the channel (not supplied) for Inline Roller to Leaf Two. Welded angle is quick and easy but can't be adjusted. Consider using a U-Channel and screwing it in place.



4 Add safety stops (not supplied) both ends.

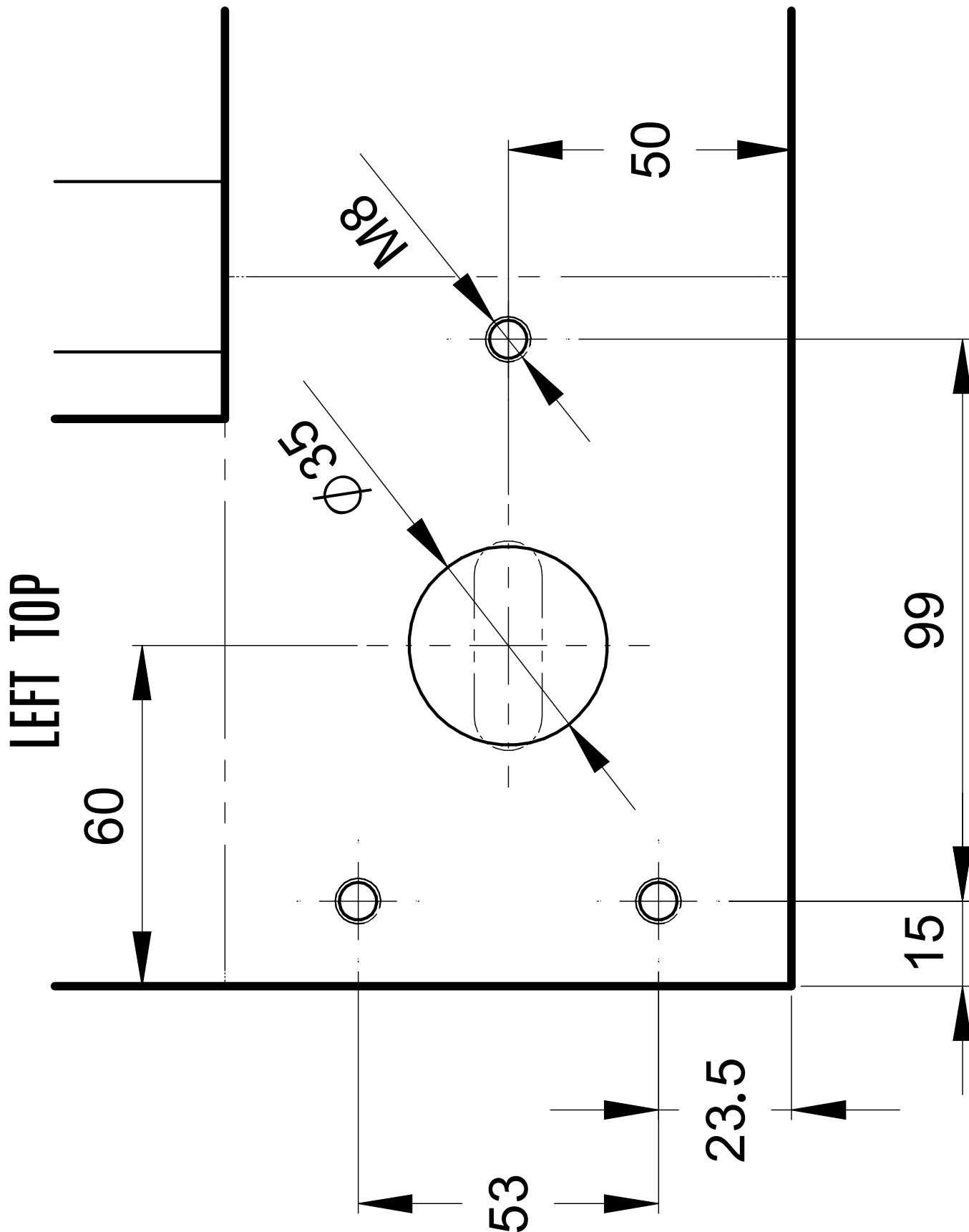
Use M10x20 screw, washer & nyloc nuts



PULLEY HARDWARE TEMPLATE

(ACTUAL SIZE)

IMPORTANT: If you're printing this from a PDF make sure to print at 100%.



PULLEY HARDWARE TEMPLATE

(ACTUAL SIZE)

RIGHT TOP

