

Changing the Battery:

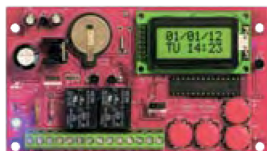
1. Use one CR-2016 button cell battery.
2. Unscrew the rear panel.
3. Note the orientation of the button cell battery and remove it.
4. Replace the battery with one fresh cell of the same type (CR-2016), in the same orientation as before.
5. Replace the rear panel.

Troubleshooting:

Time frequently incorrect	<ul style="list-style-type: none"> • Ensure the 7-Day Timer has a reliable power source. • Replace the backup battery.
Programmed event does not execute	<ul style="list-style-type: none"> • Ensure relay is in Automatic Mode (Overview section, see page 2). • Ensure event is correctly programmed.

Also Available from SECO-LARM:

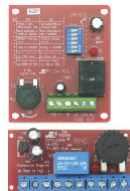
365-Day Annual Timer
SA-027Q



Delayed Egress Timer
SA-025EQ



Multipurpose Timers
SA-025Q/SA-026Q



WARRANTY This SECO-LARM product is warranted against defects in material and workmanship while used in normal service for a period of one (1) year from the date of sale to the original consumer customer. SECO-LARM's obligation is limited to the repair or replacement of any defective part if the unit is returned, transportation prepaid, to SECO-LARM. This Warranty is void if damage is caused by or attributed to acts of God, physical or electrical misuse or abuse, neglect, repair, or alteration, improper or abnormal usage, or faulty installation, or if for any other reason SECO-LARM determines that such equipment is not operating properly as a result of causes other than defects in material and workmanship. The sole obligation of SECO-LARM, and the purchaser's exclusive remedy, shall be limited to replacement or repair only, at SECO-LARM's option. In no event shall SECO-LARM be liable for any special, collateral, incidental, or consequential personal or property damages of any kind to the purchaser or anyone else.

NOTICE The information and specifications printed in this manual are current at the time of publication. However, the SECO-LARM policy is one of continual development and improvement. For this reason, SECO-LARM reserves the right to change specifications without notice. SECO-LARM is also not responsible for misprints or typographical errors.

Copyright © 2012 SECO-LARM U.S.A., Inc. All rights reserved. This material may not be reproduced or copied, in whole or in part, without the written permission of SECO-LARM.

SECO-LARM U.S.A., Inc.

16842 Millikan Avenue, Irvine, CA 92606
Tel: 800-662-0800 / 949-261-2999 Fax: 949-261-7326

Website: www.seco-larm.com
E-mail: info@seco-larm.com

Made in Taiwan
PITSW1
Order Part # 763-177-1%
MISA-027WQZZ_1205.docx



SA-027WQ

7-Day Timer

Manual



- 12~24 VAC/VDC
- Program up to 60 flexible events
- Holiday function (up to 99 days)
- Easy-to-read backlit LCD
- Adjustable output time
- Programmable security code lock out
- 12 or 24 hr clock format
- 16 Schedules including daily, weekly, weekends, etc.
- Memory saved if power fails
- Backup battery included*
- Covered terminal blocks
- Form C relay output (10A@120VAC/298VDC)
- Egress input terminal

*Preserves clock time only. External power must be present for relay to function.



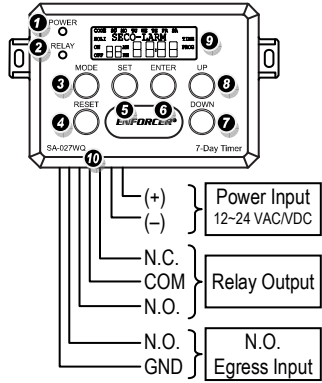
Note: Products with model numbers that end with "Q" or that have a round green "Q" sticker are RoHS compliant.



Table of Contents:

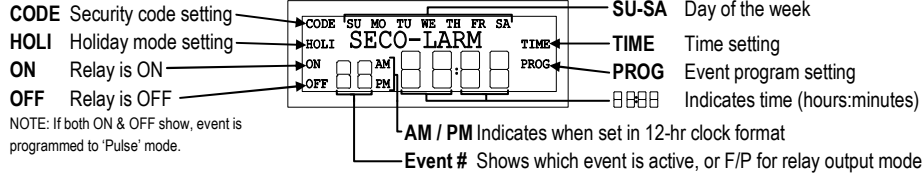
Overview	2	Setting the Time	4
Specifications	2	Entering Events	4-6
Dimensions	2	Setting Holiday Mode	6
Installation	3	Sample Applications/Wire Diagram	7
Setting the Security Code	3	Troubleshooting	8

Overview:



- 1 Power Indicator LED**
Glows blue when power is ON.
- 2 Relay Indicator LED**
Glows red when relay is active.
- 3 MODE**
Enter mode selection
Toggle Automatic (relay will follow programs) / Manual (relay will not follow programs)
Hold 3-sec: Relay will exit mode selection
- 4 RESET**
Press once: Turn relay OFF, return to automatic mode (see 3 above)
Hold 3-sec: Reset to factory defaults
- 5 SET** See Programming section for details
Enter settings mode / Move to previous setting.
- 6 ENTER** See Programming section for details
Enter setting / Confirm setting / Move to next setting.
- 7 DOWN** See Programming section for details
Move to previous setting / Decrease selected setting.
- 8 UP** See Programming section for details
Move to next setting / Increase selected setting.
- 9 LCD Display**
See detailed description below.
- 10 Terminal block**
For connection details, see Sample Applications/Wire Diagram on page 7.

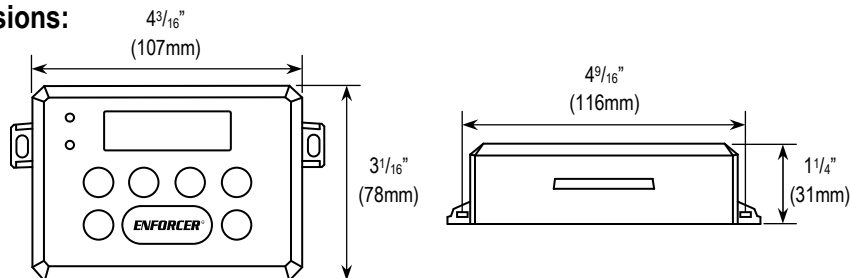
LCD Display:



Specifications:

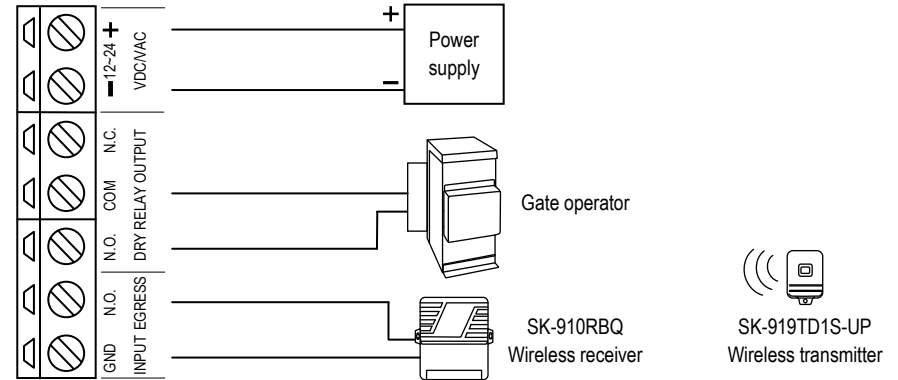
Operating voltage	12-24 VAC/VDC	
Current draw	Standby	15mA@12VDC
	Active	70mA@12VDC
Relay rating	10A@120VAC/28VDC	
Backup battery	1 x CR-2016 (included)	
Weight	4.6-oz (130g)	
Dimensions	4 ³ / ₁₆ " x 3 ¹ / ₁₆ " x 1 ¹ / ₄ " (107 x 78 x 31 mm)	

Dimensions:

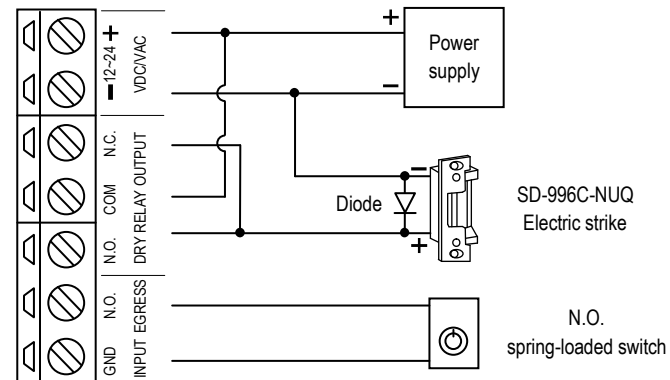


Sample Applications/Wire Diagram:

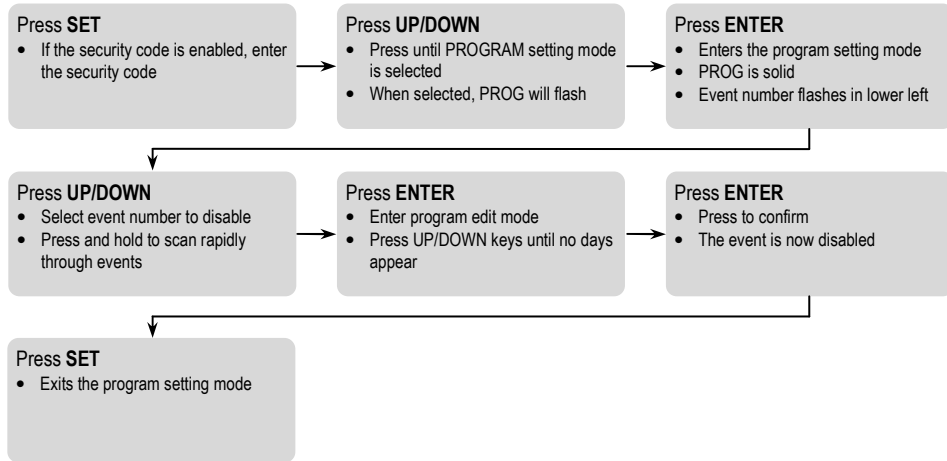
- In this application, the SA-027WQ is used to open and close a gate based on a weekly schedule. The gate is required to remain open from 7:00am to 7:00pm Monday through Friday.
- If the gate is set to automatically close after opening:
- The relay is set in Fixed mode to activate at 7:00am Monday through Friday
- The relay is set in Fixed mode to deactivate at 7:00pm Monday through Friday
- If the gate is set to open or close based on a dry contact closure:
- The relay is set in Pulse mode to activate for :02 seconds at 7:00am Monday through Friday
- The relay is set in Pulse mode to activate for :02 seconds at 7:00pm Monday through Friday
- A wireless remote (such as the SK-919TD1S-UP) activates the wireless receiver (such as the SK-910RBQ), which is connected to the egress input of the SA-027WQ. This will activate the gate when the timer is not in use.



- In this application, the SA-027WQ is used to keep an entry door unlocked during normal business hours.
- The relay is set in Fixed mode to activate at 8:00am Monday through Friday.
- The relay is set in Fixed mode to deactivate at 5:00pm Monday through Friday.
- A fail safe electric door strike (such as the SD-996C-NUQ) is connected between the N.C. and (-) terminals. A 1N4004 diode (not included) must be connected as close as possible to, and in parallel with, the lock.
- A Normally Open (N.O.) spring-loaded switch connected to the egress input of the SA-027WQ allows for egress while the door is locked.

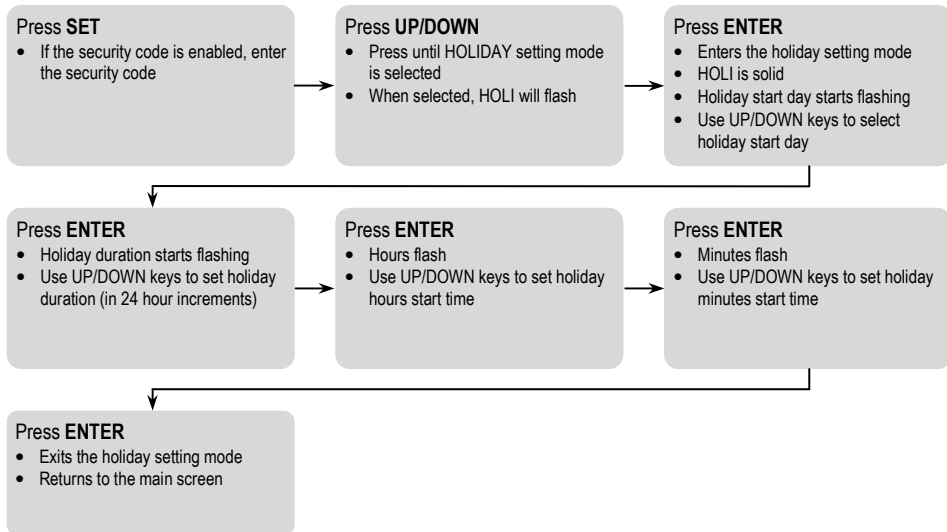


To disable an event:



Setting Holiday Mode:

- Holiday mode is used to temporarily suspend all programmed events for up to 99 days.
- Each holiday period is active only once and will not repeat. Holiday duration must be a multiple of 24 hours.
- When holiday mode is active, the number of holiday days remaining are displayed on the LCD.
- Holiday mode will only become active once the start time is reached. For example, if on Monday at 10:00AM a 3-day holiday period is set to begin on Monday at 8:00AM, suspension of events will only begin Tuesday at 8:00AM, and run until Friday at 7:59AM.
- To schedule a holiday:



Installation:

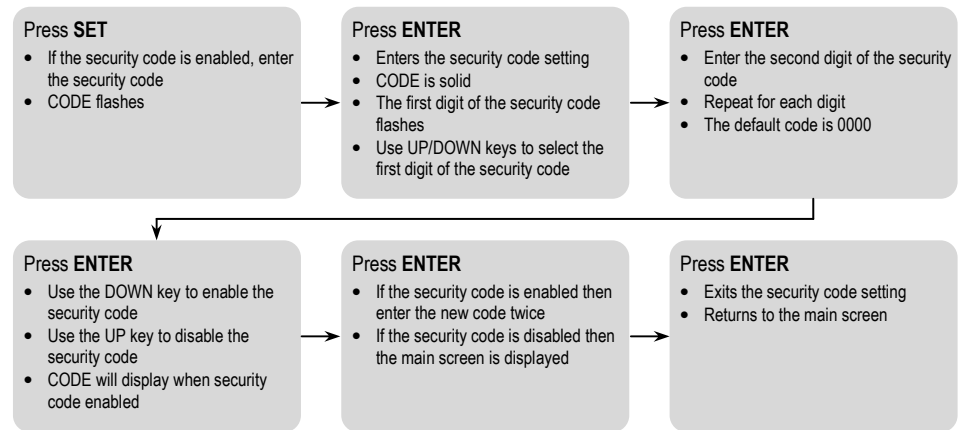
1. Mount the 7-Day Timer where the alpha-numeric display can be easily seen, and the keys can be pressed.
2. Connect 12~24 VAC/VDC to the power input terminals marked (+) and (-).
3. Remove the cover from the device. Remove the paper battery protector from the backup battery (CR-2016, included).
NOTE: The paper protector prevents the battery from being drained during product shipment. If the protector is not removed, the backup battery will fail to function.
4. Connect the device that will be controlled to the relay N.O. or N.C. and COM terminals.
NOTE: If connecting the timer to a DC-powered electromagnetic or electric lock, connect a 1N4004 diode (not included) as close as possible to, and in parallel with, the lock (see page 7). This absorbs possible electromagnetic interference to prevent operation of the lock from damaging the timer. A 1N4004 diode is not required for AC-powered locks.
5. Ensure the connected device operates within the specifications of the relay.

Egress Input: (optional, switch not included)

1. The 7-Day Timer features a N.O. Egress input which can be used with an optional N.O. switch which, when pressed, will cause the 7-Day Timer relay to activate.
2. Connect the switch between the N.O. Egress input and ground

Setting the Security Code:

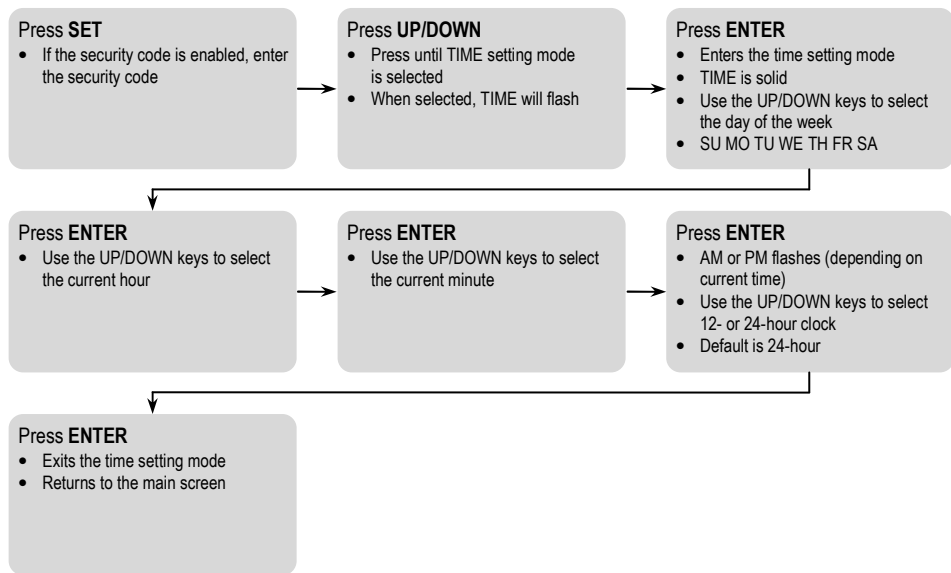
- If the security code feature is enabled, a 4-digit code must be entered before performing any operations.
- Use the UP/DOWN keys to input the code, and ENTER/SET to move to the next/previous code digit.
- Entering the incorrect code will return to the main screen.
- The default code is 0000.



Security Code Reset: To reset the security code to the factory default (0000), press and hold the SET, ENTER, UP & DOWN keys for 3 seconds.

Setting the Time:

- Set the current time in 12- or 24- hour clock format.
- Note: The backup battery will preserve clock time during power failure
- To set the time:



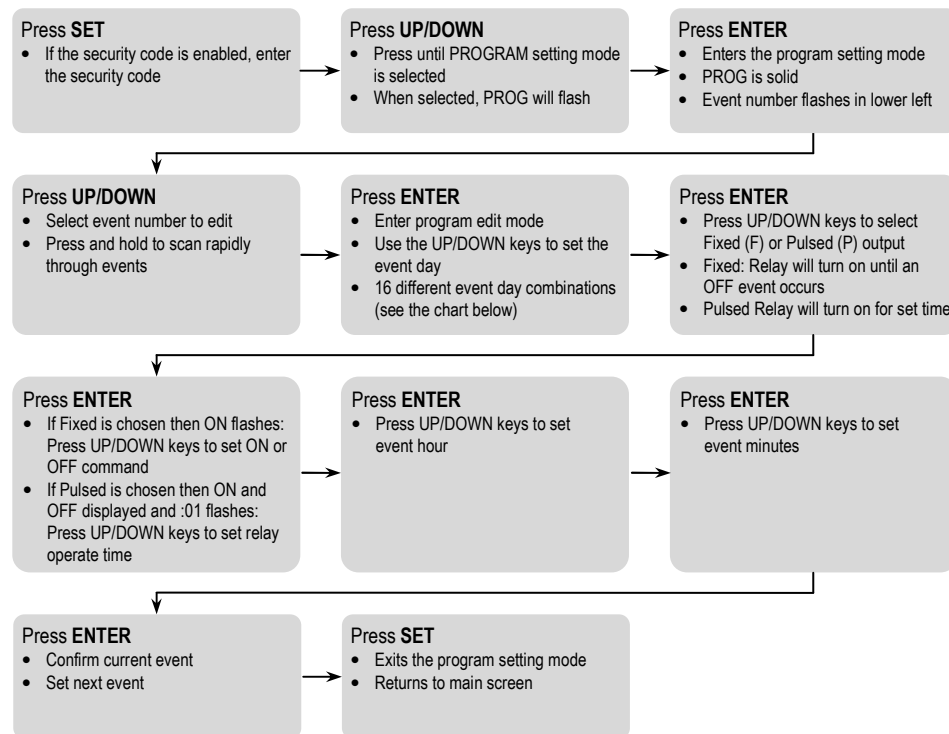
Entering Events:

- The 7-Day Timer can store up to 60 events.
- When an event is active, the event number will show on the LCD.
- In fixed mode, ON or OFF will show on the LCD.
- Fixed mode means the relay will activate with one event and deactivate with another event.
- In pulsed mode, ON and OFF will both show on the LCD.
- Pulsed mode means the relay will activate for a set period of time and then automatically turn off.

NOTE 1: The timer only executes future events. For example, a Monday 8:00 AM event that is programmed at 10:00 AM on Monday will not execute and come into effect until the following Monday at 8:00 AM.

NOTE 2: Only one event can be scheduled for each minute. Subsequent events set to the same day/hour/minute will not be saved.

To create a new event:



Setting for day of the week can be programmed in 16 different combinations. Combinations, in the order they appear, are as follows: (combination will show onscreen when selected)

	SUNDAY	MONDAY	TUESDAY	WEDNESDAY	THURSDAY	FRIDAY	SATURDAY
1	•						
2		•					
3			•				
4				•			
5					•		
6						•	
7							•
8		•	•	•	•	•	
9		•	•	•	•	•	•
10	•	•	•	•	•	•	•
11		•	•	•			
12					•	•	•
13		•		•		•	
14			•		•		•
15	•						•
16	Disabled						