

SECTION 8

ELECTRICAL SETUP

8.2.12. Wiring for MagLock to Vx SMART Controller

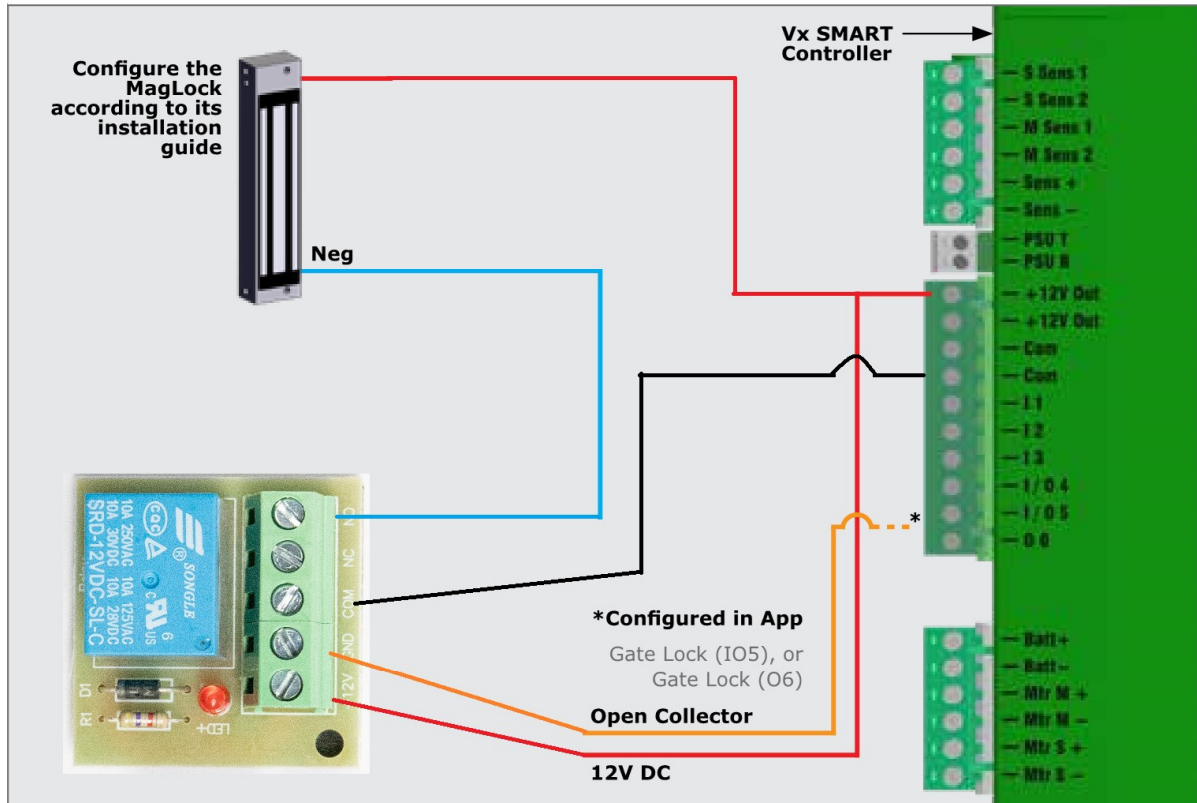


FIGURE 51



When using a Maglock on either IO5 or O6, it is essential to use an interposing relay to energise and de-energise the Maglock.

For proper Maglock operation, the Maglock must fully demagnetise. The **Vx SMART** Controller's built-in protection for Strike Locks, prevents the Maglock from demagnetising correctly.